



MOABI SCAFFOLDING COMPANY PROFILE

CONTENT

1. PROPOSAL FOR YOUR SCAFFOLDING CONSTRUCTION NEEDS ASSESSMENT

2. ABOUT US

3. OUR EXPERIENCE

4. FORMWORK SERVICES

5. SCAFFOLDING SERVICES

6. FORMWORK STRUCTURES

7. HIRE AND ERECT

8. HEALTH AND SAFETY MANAGEMENT

9. HEALTH AND SAFETY POLICY

10. DESIGN AND DRAWING

11. CORPORATE SOCIAL INVESTMENTS 'CSI'

12. CONTACT US

COMPANY PROFILE CONTENT DESIGNED AND DEVELOPED BY:

Abby Khumalo Inc. (Pty) Ltd
www.abbykhumalo.co.za
info@abbykhumalo.co.za
Tel 1: +2774 808 2169
Tel 2: +2783 745 5879

MOABI SCAFFOLDING

Mr. Moabi Seabi the CEO of Moabi Scaffolding would like to thank you for affording our company an opportunity to introduce ourselves, and for allowing us to assess your specific construction needs. Moabi Scaffolding has been in operation for the past 11 years, specializing in scaffolding manufacturing, Sales, hire and erection, and our in-house technical division always maintains our customer base, concentrating on quick response time and attention to detail. We pride ourselves in our after-sales care policies, to ensure a high degree of customer satisfaction.

Our internal strategies are always "Against the Grain" which ensures us to continually re-assess existing procedures, shelve inefficiencies and important updated protocols to protect the best interests of our clients, and align them to the industry norms, are built within confines of the regularity guidelines for the private construction sector. Leveraging on our past experiences and the vital information that we gather from our clients through risk assessments, we are then able to map-out tailored service solution for you. This is a cyclic process that keeps us current with the latest market-trending technologies and newly-adopted industry practice.

We have strong links with a wide network of construction bodies that further enhances our ability to isolate pour quality-related vulnerability and risks that plague our industry. At Moabi Scaffolding we are passionate about everything we do, we continually strive to ensure service excellence and consider ourselves to be a cut above the rest. We operate in a unique and professional manner to ensure consistency in our approach and service offerings. For many years, the construction industry has been subjected to loop-holes with loosely-managed construction operations, we however, ensure you consistency, accuracy and efficiency in all our business dealings with you.

Our task is to ensure that all our sites are strictly and professionally managed 24/7. In the event of unforeseen incidents, we act quickly to identify problems and we apply important remedial procedures to prevent re-occurrences. We have every confidence in managing your contracts effectively, due to our strong senior support structures which prides itself in delivering high standards of professionalism and operational management standards. We believe in building partnerships with our clients rather than being "just another" construction service provider. Should you require any further information or clarity, please do not hesitate to contact us. We look forward to hearing from you.



Yours Sincerely
Your Industrial Scaffolding Specialists



MANAGING DIRECTOR

Mr. MOABI SEABI



ABOUT US

INTRODUCTION

Moabi Investments CC trading as Moabi Scaffolding is one of the market leaders in supplying and erecting Formwork and Scaffolding in South Africa, bringing about top quality Formwork at the most competitive rates. We can fulfil all the formwork needs of some of the most complex building operations in and around South Africa. Moabi prides itself on remaining up to date with some of the most cutting edge Formwork and Scaffolding technology on the global market. With over 15 years of experience in the construction industry, Moabi Scaffolding understands the daily challenges faced on a construction site. Through combining local and international knowledge and expertise, Moabi Scaffolding strives to be at the forefront of customer service. Addressing the needs of the South African construction site through a hands-on and feet-on-the-ground approach. Taking time to understand the needs of our clients is quintessential to our service. Serving the Southern African market from two strategic methodologies which are, to apply both the theoretical and practicality that has contributed to our company growth and a niche to provide comprehensive solutions for your formwork and all your scaffolding needs.



OUR VISION

To create simpler and more affordable formwork and scaffolding solutions for the construction industry, servicing you through sourcing and supplying the best solution for all our clients.

OUR MISSION

- ✓ To identify and to focus on the challenges the industry faces
- ✓ To source, implement and supply solutions for these challenges
- ✓ To provide a professional and reliable service to the industry
 - ✓ To service the industry with integrity and humility
 - ✓ To provide a "one-stop-shop" for all scaffolding needs



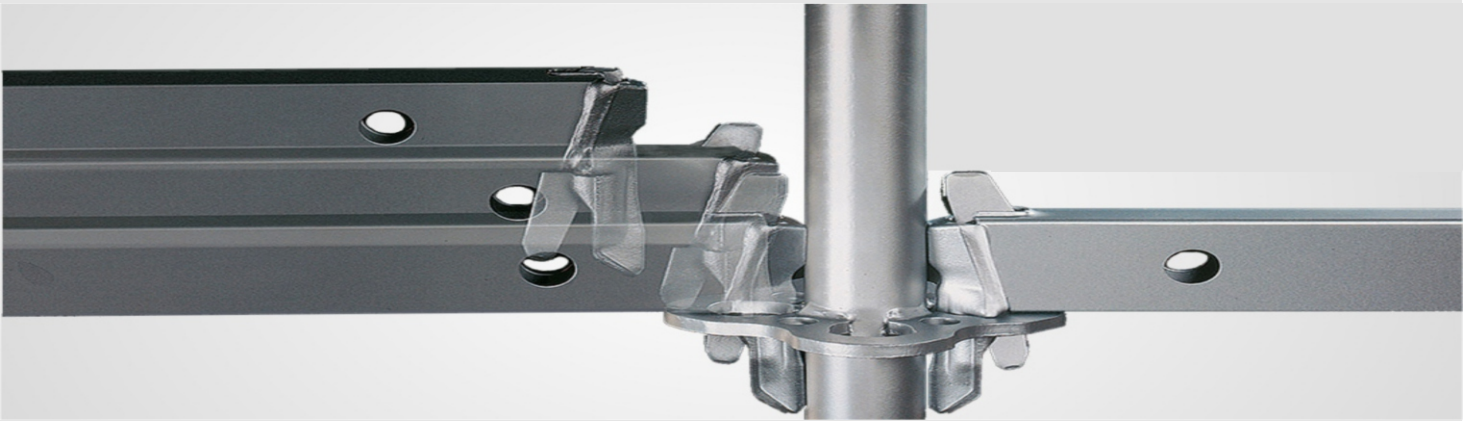
MANAGING DIRECTOR

Mr. MOABI SEABI



OUR EXPERIENCE

Moabi Scaffolding is an industry leader with a number of successful Formwork jobs with various Contractors throughout South Africa. Our expert team of Site Managers have vast experience in safely operating Formwork and Scaffolding jobs. Moabi wishes to not only satisfy the client with an on time, quality finished Formwork job; but to build a relationship with the active members on site. Building a unified relationship helps strengthen the communication and efficiency of the most complex Formwork jobs.



Through this we maintain an exceptional standard throughout the project at hand. We ensure that goods and services are supplied to meet their intended purpose and in accordance with accepted standards and practices. We pride ourselves in every aspect of every project we do and always strive to create a mutually beneficial project for the parties concerned. Our targeted clientele are construction companies in and around Johannesburg.



MANAGING DIRECTOR

Mr. MOABI SEABI



FORMWORK SERVICE

Moabi Scaffolding is responsible with providing the client with all the essentials of Formwork, including:

- ✓ An expert management team
 - ✓ A trained labour force
- ✓ Highest quality material and equipment
 - ✓ All delivery and returns of material
 - ✓ Competitive pricing of the BOQ
 - ✓ An expert Quantity Surveying Unit

Directors and management are actively involved in all company formwork jobs ensuring that all operations are running efficiently and in accordance with the client's satisfaction. We aim to benefit the Contractor by implementing the idea of "sale by loss" as our responsibility to remove a large potential cost factor from the client on amenities such as:

- ✓ Formwork
- ✓ Materials
- ✓ Management
 - ✓ Safety
- ✓ Specialisation

SCAFFOLDING AND EMERGENCY SCAFFOLDING

Whatever you need scaffolding for, you should come to Moabi Scaffolding. We provide the full service, from supply and delivery, to erection and weatherproofing. With over 15 years' experience in the trade, you're in safe hands.

Need some emergency scaffolding? Moabi Scaffolding can help you, we give you a complete service from planning to erecting; we pride ourselves on great customer service blended with many years of experience. You can expect us to design your scaffold, assess the risks and provide a full method plan for you. Once we have the go ahead, the scaffold will be erected at a time that suites you and in a timely manner. Once your work is completed we will come and dismantle for you providing you with a prompt and efficient service from start to finish. On top of that we will give you a free, no obligation estimate quote.



MANAGING DIRECTOR

Mr. MOABI SEABI



SCAFFOLDING SERVICE

WHAT WE OFFER YOU?

Moabi Scaffolding offers a 24/7 emergency scaffolding service. We aim to be at your location as soon as possible and within the same working day, depending on the team's commitment at the time.

SUPPLIERS OF NEW & USED SCAFFOLDING

Scaffolds is one of the construction material that is frequently bought by the construction firms. Once purchased it serves over a long period, sometimes life-long. The requirements can be in the section associated with parts, where the parts can be required to replace the weary ones. To fetch regular customers and holding on to customers for regular sales mainly for the parts is a better way to service the scaffolding business.

Several businesses associated with scaffolding sell used materials at a reduced price as an option which is readily adopted by the seller community of the scaffolds. This is an easier option to fetch customer's notice and attention towards the slashed costs, which in return enhances the gains and grabs on to the productivity in an effective manner. In cases, where the associated metrics towards tracking of the effectiveness and profits are maintained appropriately, the cost evaluation and effort of selling relevant materials automatically gets sorted with the flow of the process.



MANAGING DIRECTOR

Mr. MOABI SEABI



FORMWORK STRUCTURES

LIGHTWEIGHT PANEL FORMWORK LGW

The LGW lightweight panel formwork is a versatile system for the solution of any vertical geometry in building construction.

TIMBER BEAM FORMWORK 'ENKOFORM VMK'

This extraordinarily flexible and versatile wall and column formwork is highly efficient and provides an excellent concrete finish for any vertical structure in building construction and civil works: walls, piers, abutments, columns, etc.

LIGHTWEIGHT COLUMN FORMWORK LGR

The LGR column formwork is designed for the concreting of rectangular section columns, mainly for residential construction.

ALUMINIUM MODULAR FORMWORK-CC-4

The CC-4 is a recoverable modular aluminium formwork optimised for the construction of solid or lightened slabs with excellent concrete finishes.

RAIL CLIMBING FORMWORK 'RKS'

The RKS is a rail guided climbing formwork that allows hydraulic climbing without detaching the structure from the wall.

MBP MESH EDGE PROTECTION

MBP metal safety protection is a temporary anti-fall protection system intended to be assembled on both, concrete structures and ULMA formwork systems.

ACCESS SCAFFOLDING BRIO

BRIO temporary access systems are structures that allows access to work areas on the worksite or facilitate pedestrian passage in public spaces.



MANAGING DIRECTOR

Mr. MOABI SEABI



HIRE AND ERECT

Our Hiring Division was established in 2007, and due to an increase in demand from our customers for the hiring of access scaffolding, as well as Site Management regarding all on site scaffold services. Our services are not only limited to Gauteng, but also nationally and cross border.

We supply top quality locally manufactured scaffold products for hire, with our focus being on safety and availability at all times, no matter the project size or specification. Our complement of Scaffolding Staff comprise of Qualified and CETA accredited Erectors, Inspectors, Supervisors, SHE Reps and Scaffold Labour. All training is done by CETA accredited bodies that adhere to the necessary unit standards. Our experienced and qualified Site Managers manage our sites to ensure that our customers reach their deadlines and stay within their programs.



REFURBISHMENT

Scaffolding is a large investment for any construction company. We offer a refurbishment service to remove paint and rust and to refurbish material, repair components and repaint material. It is recommended that material is cleaned and repainted yearly to prevent rusting, caused by the acid in cement. Although pressure washing works well, it does not remove all the cement, old paint and rust. The wheelabrator works by shooting hundreds of tiny metal balls at high speed from all directions onto the component, ensuring a perfectly cleaned product. We can clean up to 20 tons of scaffolding every week, resulting in a faster turnaround time for our clients.



MANAGING DIRECTOR

Mr. MOABI SEABI



HEALTH & SAFETY AND SITE MANAGEMENT

Moabi Scaffolding regards the promotion of health and safety within its operations as an essential part of its responsibilities. Health and Safety is a mutual objective of every manager and employee. It is company policy to use a Safety Management System to do all that is reasonable and practical to prevent personal injury, damage to property and to protect all parties from foreseeable work hazards or financial and economic implications insofar as they come into contact with the operations of Moabi Scaffolding.



LEGISLATIVE REQUIREMENTS

We comply with all Construction Regulations and Health and Safety requirements under the SANS 10085-1 of 2004 to maintain our zero-incident track record. We adhere to the OHS Act as well as the Mine Health and Safety Act to ensure repeat business with contractors.

QUALITY CONTROL

All our material is manufactured with locally procured SABS approved steel, and inspections are done daily not only by our Quality Inspectors, but also by clients we supply. Our team of Safety Officers and SHE Reps ensure that we adhere to all aspects of Health and Safety. The Supervisors and Managers ensure that not only production are managed but also our Health and Safety with the following always being key responsibilities.



MANAGING DIRECTOR

Mr. MOABI SEABI



HEALTH AND SAFETY POLICY

We strive to promote the health and safety within our operations as an essential part of our responsibilities. We regard the promotion of health and safety matters as a mutual objective of every manager and employee. It is our policy to use our Safety Management System to do all that is reasonable and practical to prevent personal injury, damage to property and to protect all interested and affected parties from foreseeable work hazards, financial and economic implications insofar as they come into contact with the operations of Moabi Scaffolding.

RESPONSIBILITY OF MANAGEMENT

- ✓ Management is accountable for the safety performance of the Company and must therefore provide strategic direction and leadership in all matters regarding safety.
- ✓ Management must ensure that injuries and diseases are preventable by providing safe & healthy facilities.
- ✓ Management must ensure that risk assessments are done on all tasks conducted and necessary training given to all workers involved.
- ✓ All hazards are identified and their risks managed.
- ✓ Personal responsibility for Safety and Health are explained to all employees and enforced.
- ✓ Ensure that Health and Safety performance are monitored and be improved continuously.
- ✓ Sub-Standard Acts and Conditions are addressed, rectified and not condoned.



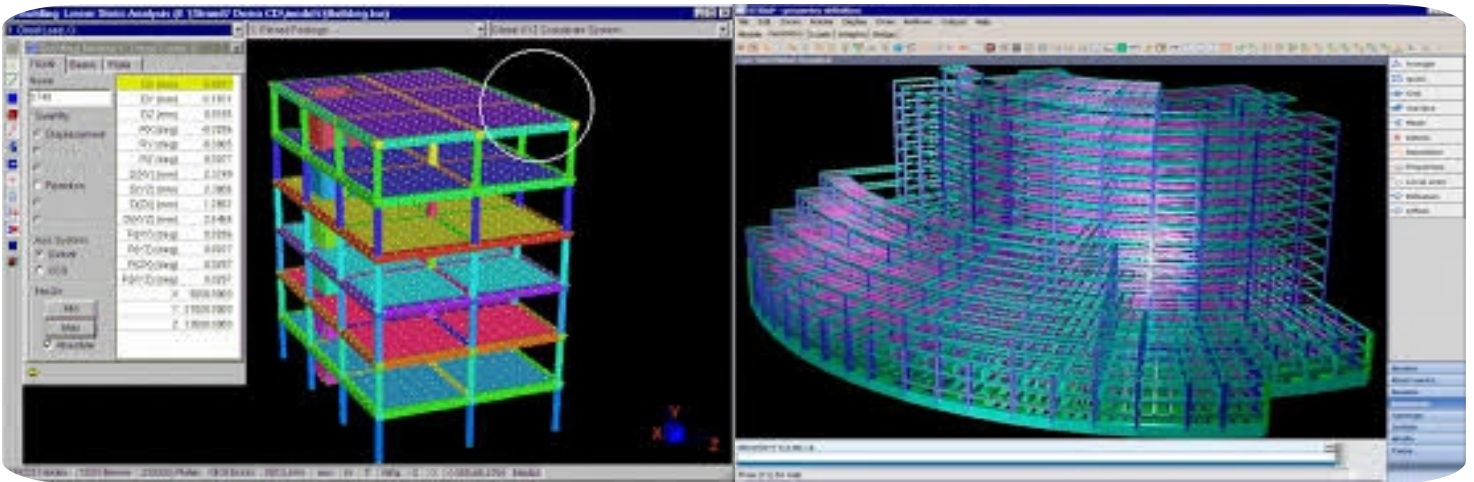
MANAGING DIRECTOR

Mr. MOABI SEABI



DESIGN AND DRAWING

Drawings and designs are a crucial part of the scaffolding industry. Especially when the requirement is to erect high and complicated scaffolding towers. Our design division will design scaffolding to suit the requirements but also comply with SANS. Quantification of components is automatically generated. If an engineer's drawing is required we make use of external professional engineers that specializes in scaffold designs.



Since February 2014, South African Construction regulations calls for all temporary works to be designed, inspected and approved by a competent person. Moabi Scaffolding provides this service through South Africa's leading temporary works consulting engineering firm – Moabi Investments CC. Moabi Investments CC is a professional engineering consultancy that offers a comprehensive support service for all aspects of Temporary Works. Moabi's engineering team is able to produce project specific, standard solution or detailed designs in line with local and international design codes.



MANAGING DIRECTOR

Mr. MOABI SEABI



CORPORATE SOCIAL INVESTMENTS 'CSI'

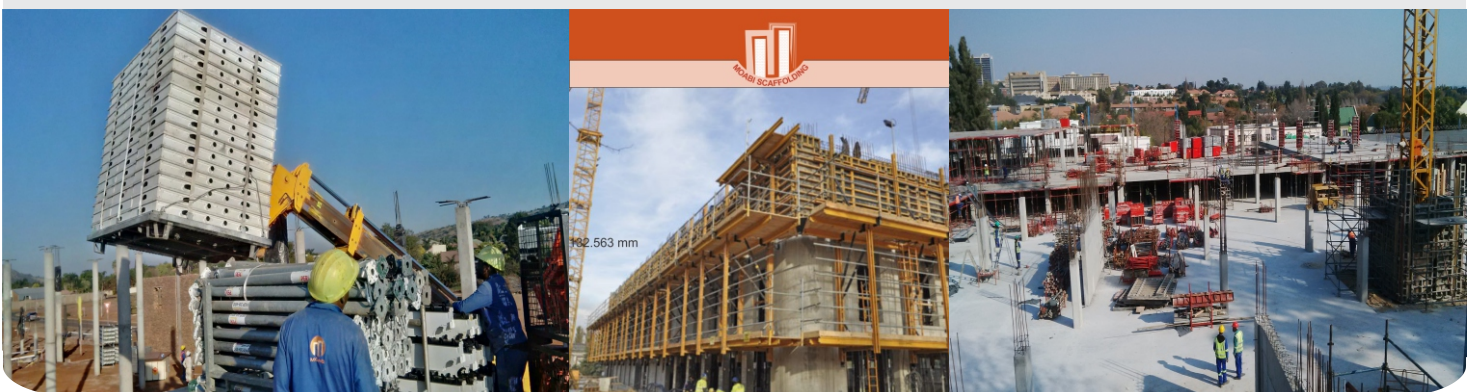
Moabi Scaffolding is committed to the care and development of our future generations. A recent initiative has been implemented within the company to allow students studying Civil Engineering, Quantity surveying or Construction Management the opportunity to gain onsite experience through a Moabi Work Mentorship Program. The students benefit greatly from the experience as they can understand what they learn in the classroom and how it is applied practically onsite.

We wish to one day stimulate the current South African education program by offering bursaries to students studying Civil Engineering or Quantity surveying, and mostly those that possess the skills to be leaders and succor in their field. We know it is our responsibility to help create a positive and sustainable future for all South Africans.



ONSITE LEARNING EXPERIENCE STIMULATES POTENTIAL

If you are currently in your third or fourth year and are studying in the field of Civil Engineering, Quantity Surveying or Construction management, and are interested in participating in our Moabi Work Mentorship Program please send through your CV and a motivation as to why you are interested in participating in the program to mentorship@moabi.co.za.



MANAGING DIRECTOR

Mr. MOABI SEABI





Call us today for a no obligation quotation for your current and future projects, Moabi Scaffolding, "your quality partner".



(+2711) 057 2245



(+2786) 000 0000



info@moabisc scaffolding.co.za



www.moabisc scaffolding.co.za



Office Address: No. 171 Notting Hill
Bottlebrush Street
Randburg
Johannesburg
2194